

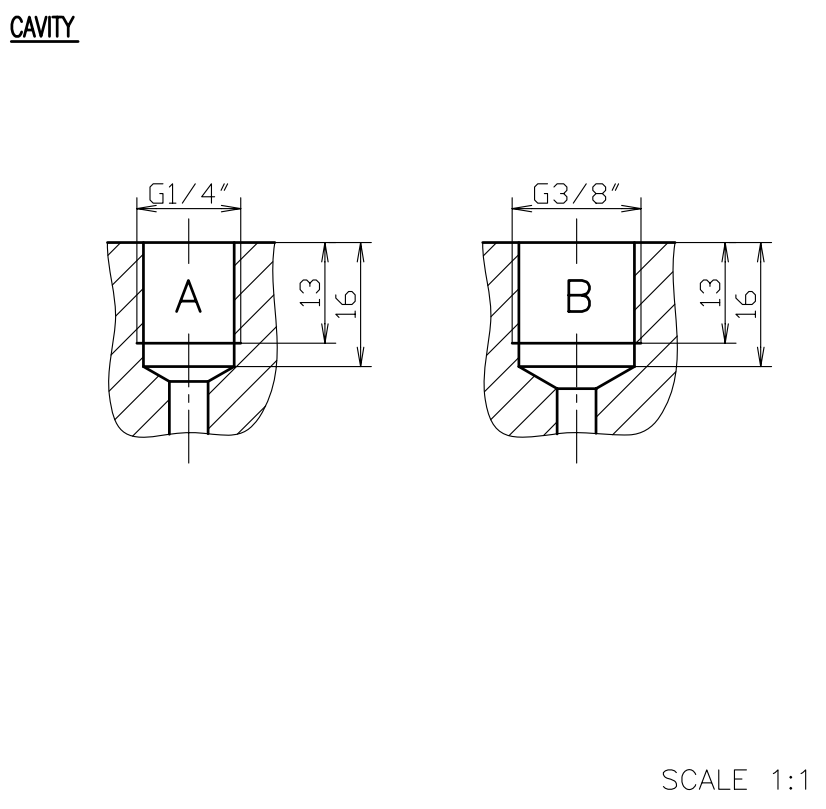
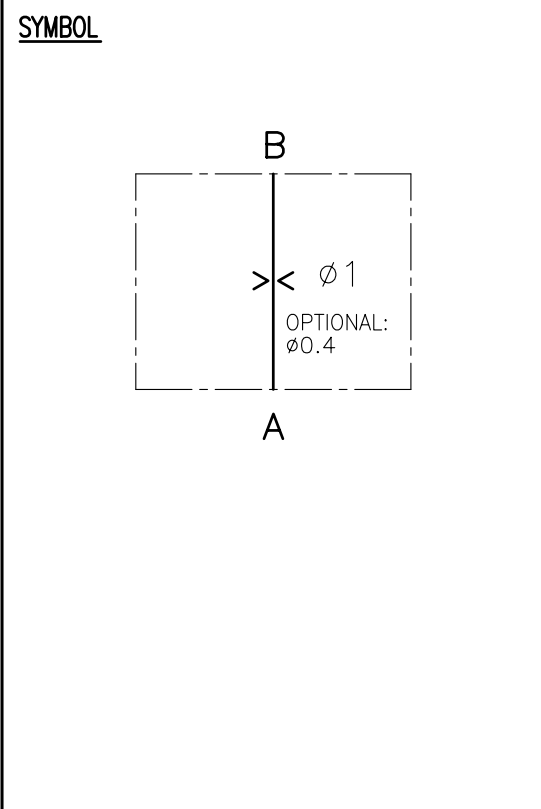
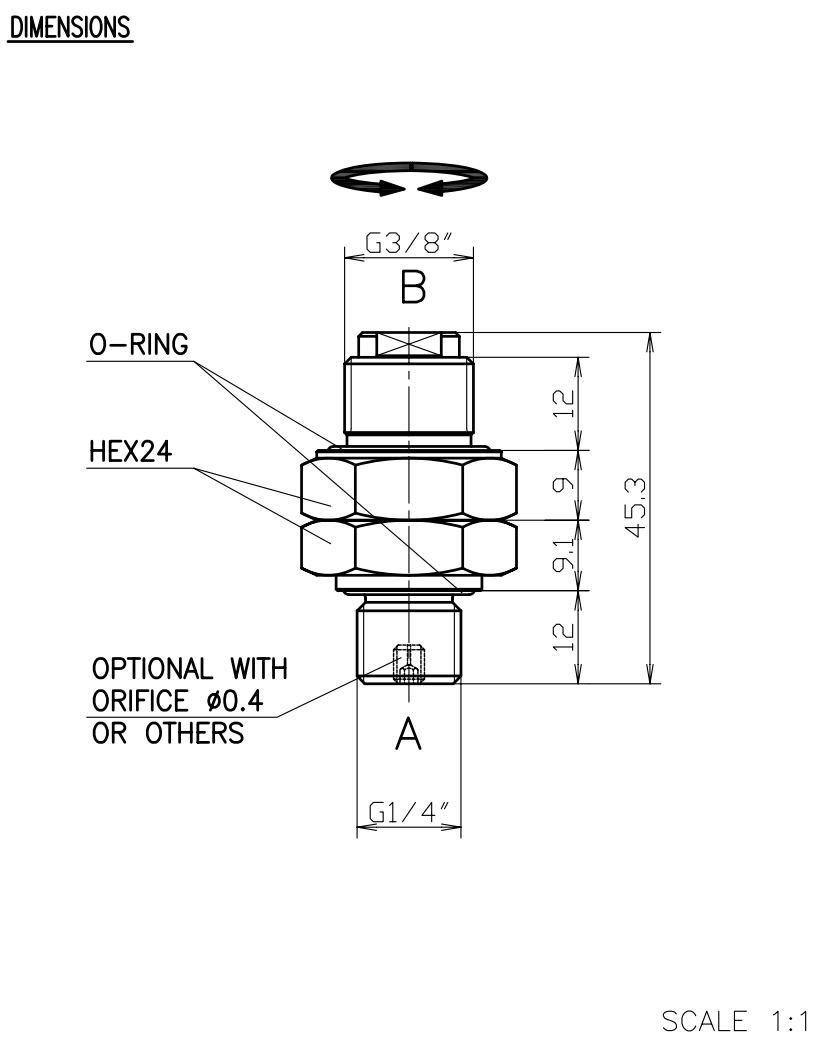
# SWIVELING FITTING MHW-DVS-G1/4"



**DESCRIPTION**  
 MALE TO MALE FITTING  
 SWIVELING  
 WITH THROTTLE

**MAXIMUM OPERATING PRESSURE**  
 300bar

**FLUID**  
 HYDRAULIC OIL HLP 22 (=22cSt at 40°C)



**ORDER CODE**      **MHW-DVS-G1/4" /** \_\_\_\_\_

└───┬───> **ORIFICE**

BLANK    WITHOUT (STANDARD)  
**0.4**    WITH ORIFICE  $\phi 0.4$