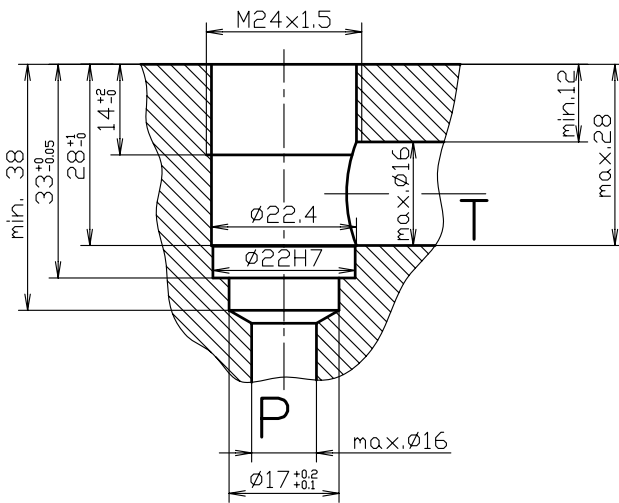


2-STUFEN SICHERHEITSVENTIL-VORGESTEUERT TWO-STAGE RELIEF VALVE-PILOT OPERATED

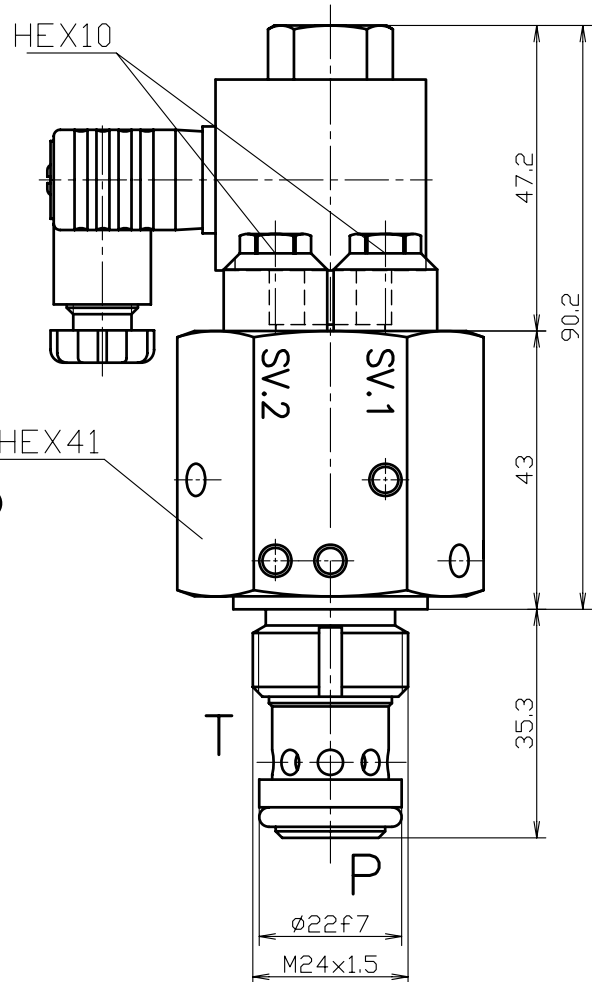
MHW-SV140VG-2P/24VDC

FLOW: 5 - 120l/min
PRESSURE RANGE: 50 - 300bar

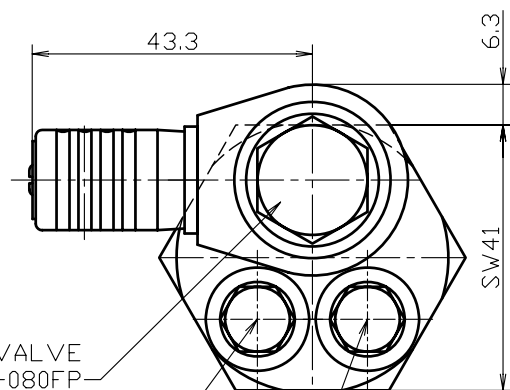
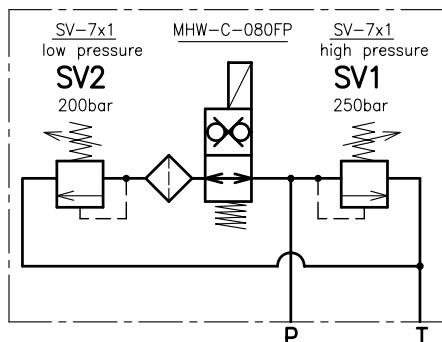
CAVITY:



MAX. TORQUE:
40Nm (29,5ft-lbs)



HYDR. SCHEMATIC:



2/2-WAY VALVE
MHW-C-080FP

MHW-SV-7x1
LOW PRESSURE

MHW-SV-7x1
HIGH PRESSURE

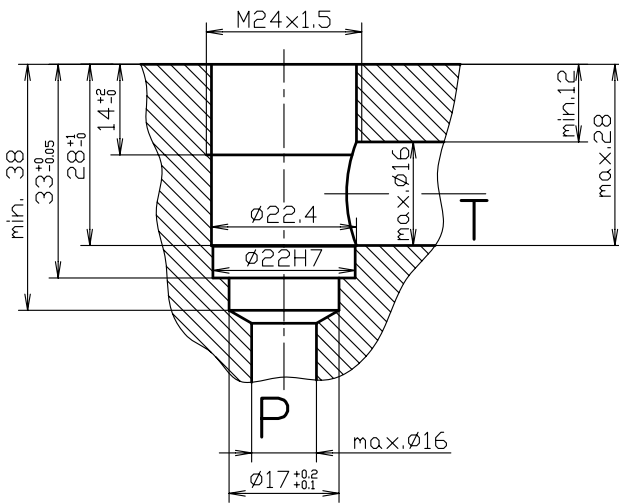


2-STUFEN SICHERHEITSVENTIL-VORGESTEUERT TWO-STAGE RELIEF VALVE-PILOT OPERATED

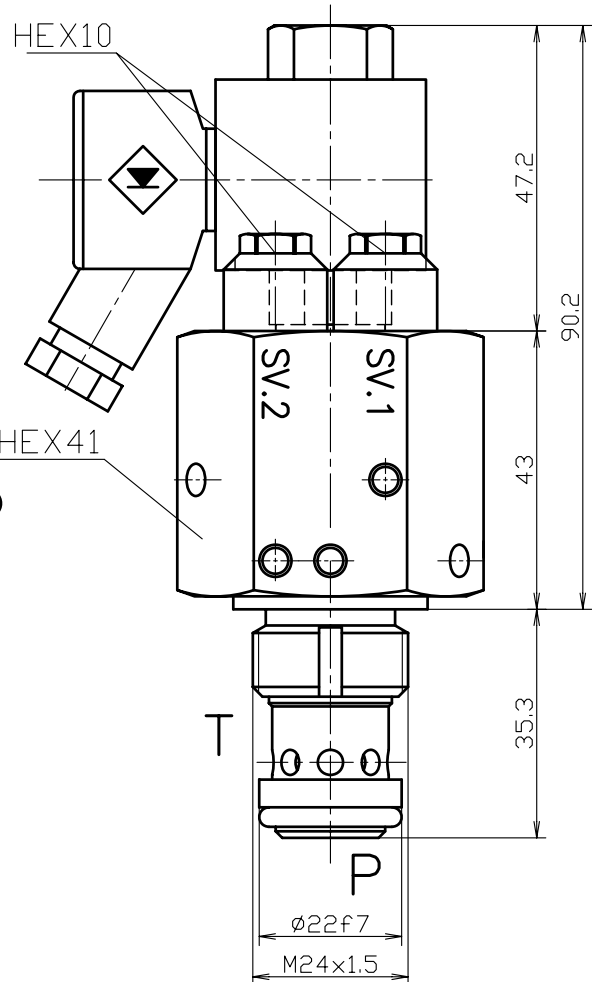
MHW-SV140VG-2P/230VAC

FLOW: 5 - 120l/min
PRESSURE RANGE: 50 - 300bar

CAVITY:



MAX. TORQUE:
40Nm (29,5ft-lbs)



HYDR. SCHEMATIC:

